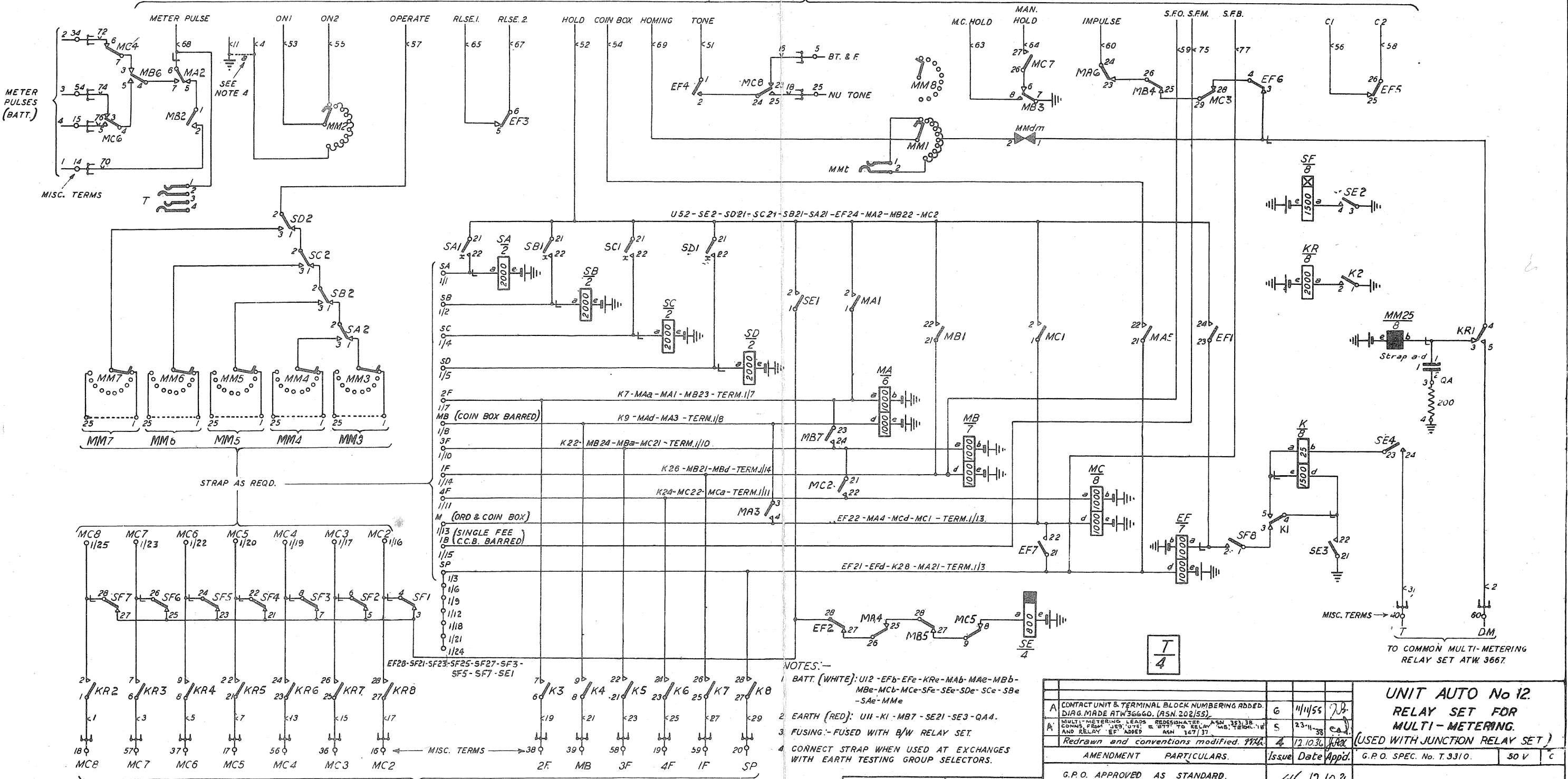


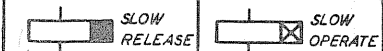
TO RELAY SET FOR BOTHWAY JUNCTION A.T.W. 3663.



TO COMMON MULTI-METERING RELAY SET A.T.W. 3667.

TO COMMON MULTI-METERING RELAY SET ATW 3667.

- NOTES:-
- BATT. (WHITE): U12 - Efb - Efe - Kre - Mab - Mae - Mbb - Mbe - Mcb - Mce - Sfe - See - Sde - Sce - Sbe - Sae - Mme
 - EARTH (RED): U11 - K1 - MB7 - SE21 - SE3 - QA4.
 - FUSING:- FUSED WITH B/W RELAY SET.
 - CONNECT STRAP WHEN USED AT EXCHANGES WITH EARTH TESTING GROUP SELECTORS.



AMENDMENT PARTICULARS.		Issue Date	Appd.	G.P.O. SPEC. No. T.3310.	50 V	c
CONTACT UNIT & TERMINAL BLOCK NUMBERING ADDED. DIAG. MADE ATW3666. (ASN 202/55).		6	11/1/55			
MULTI-METERING LEADS REDESIGNATED. ASN 353/58. COMES FROM 'JES' 1771 & 1777 TO RELAY 'MB' TERM. 11/13 AND RELAY 'EF' ADDED ASN 147/37.		5	23/11/58			
Redrawn and conventions modified. PXX.		4	12/10/36			
G.P.O. APPROVED AS STANDARD.			12.10.36			

UNIT AUTO No 12
RELAY SET FOR
MULTI-METERING.
(USED WITH JUNCTION RELAY SET)

A.T.W. 36660

27 JAN 1966